

Please wait for menu to be constructed

Drop Connectors & Accessories

Snap-N-Seal® "F" Series Male Environmentally Sealed Connectors

Snap-N-Seal® "F" Male, Environmentally Sealed Connectors For RG7 And RG11 Cables

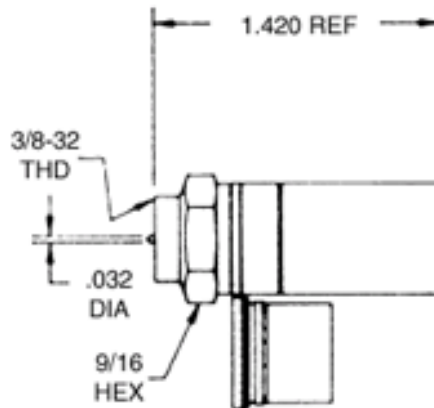


FIG. C

Dimension Information In F.P.S (U.S)

[Display in metric standards \(C.G.S\)](#)

Catalog No	Fig.	Post I. D. (In.)	Sleeve I.D. (In.)	Return Loss	Insertion Loss	Description
SNS7BQ	C	0.238	0.355	-30dB	-.2dB	'F' Connector for Series 7 quad shield cable

Tools Used

Installation Procedure

Packaging Information

Catalog#	Unit Quantity	Standard Quantity Package	Weight (lbs.)	Weight UOM
SNS7BQ	36	288	5.630	Per 100

[Smart Search Results](#) [View Product Category](#)

[Print Back](#)